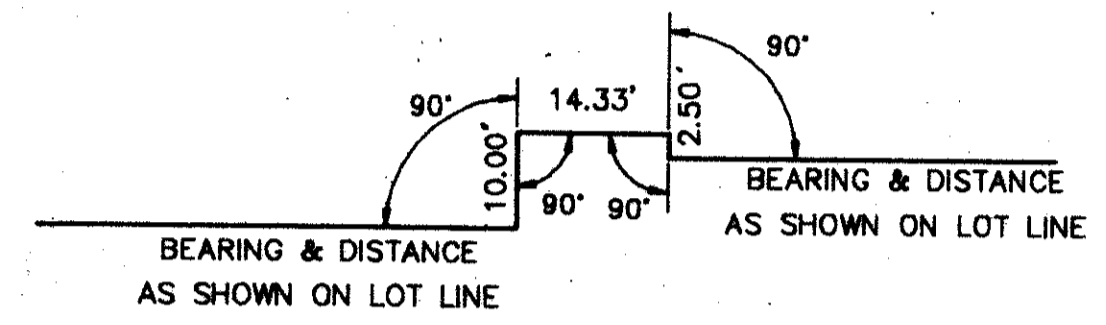
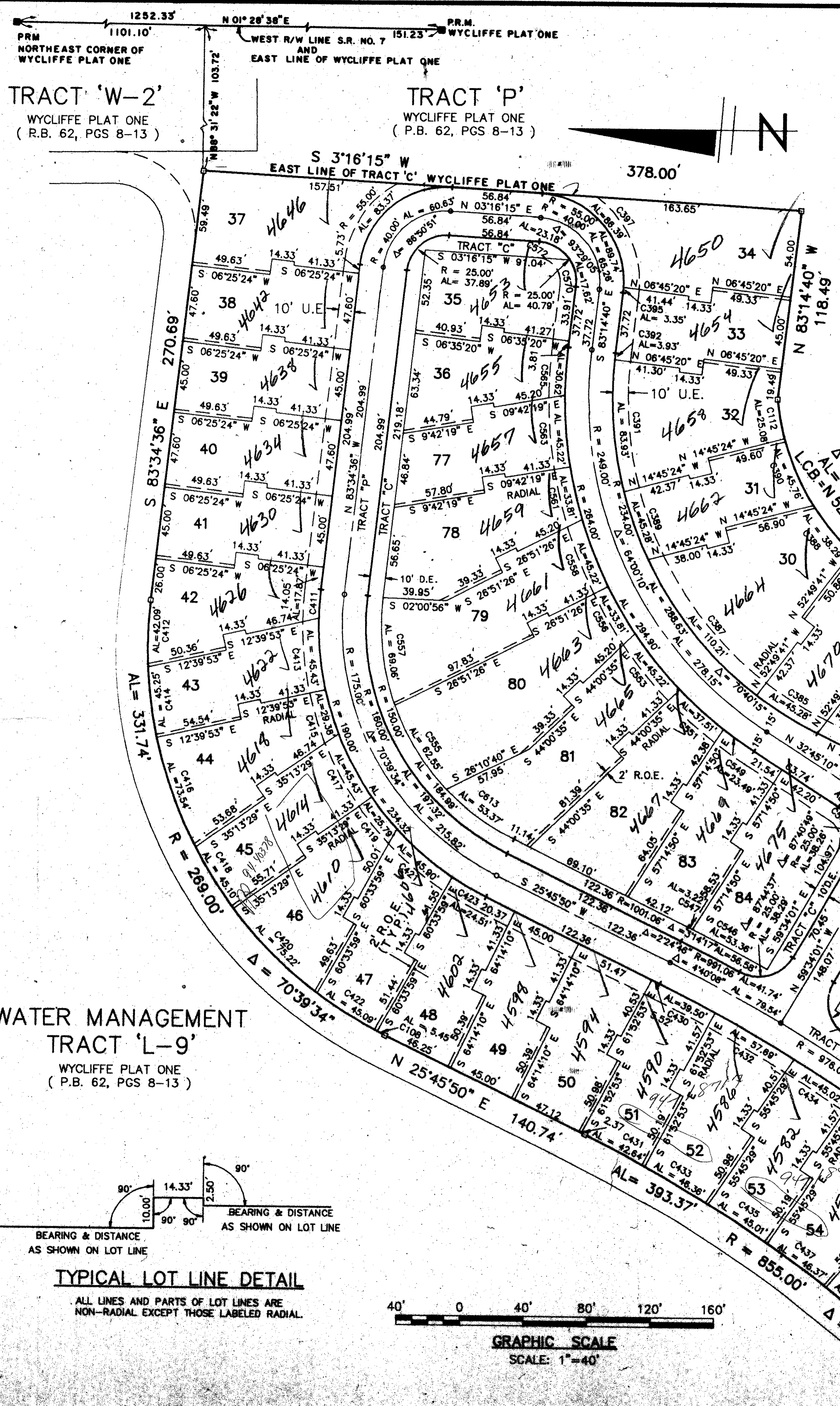


PARCEL 'C' at WYCLIFFE

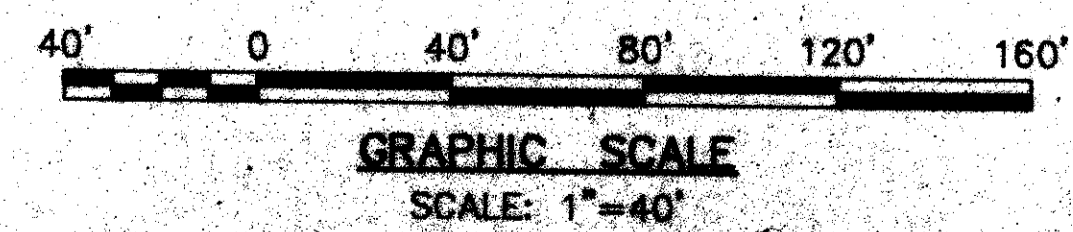
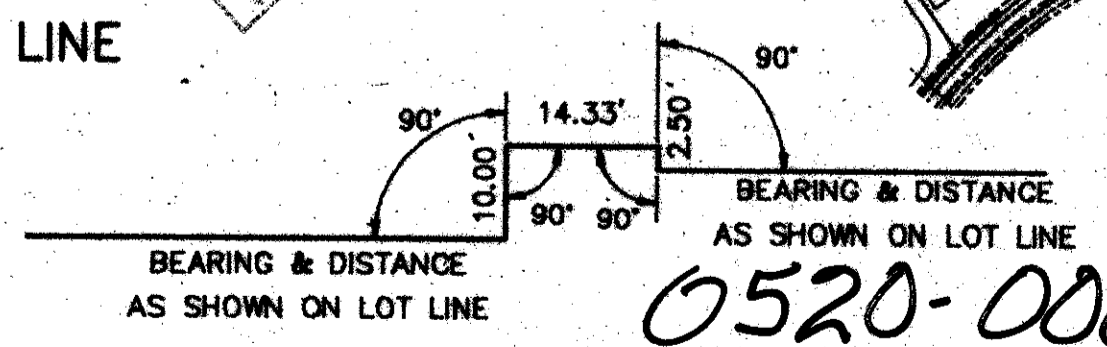
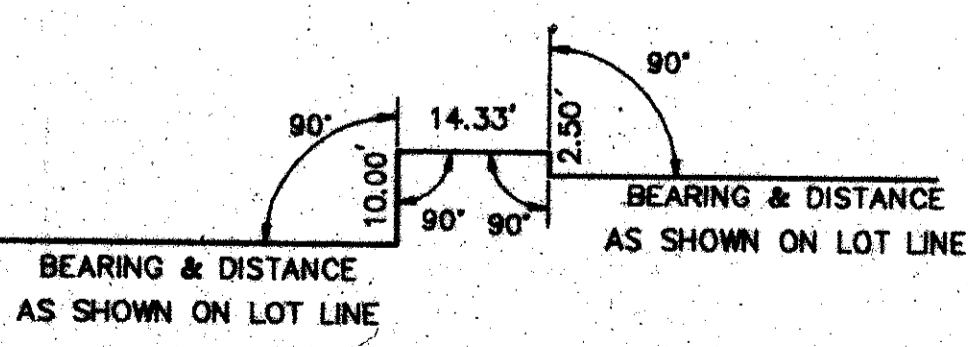
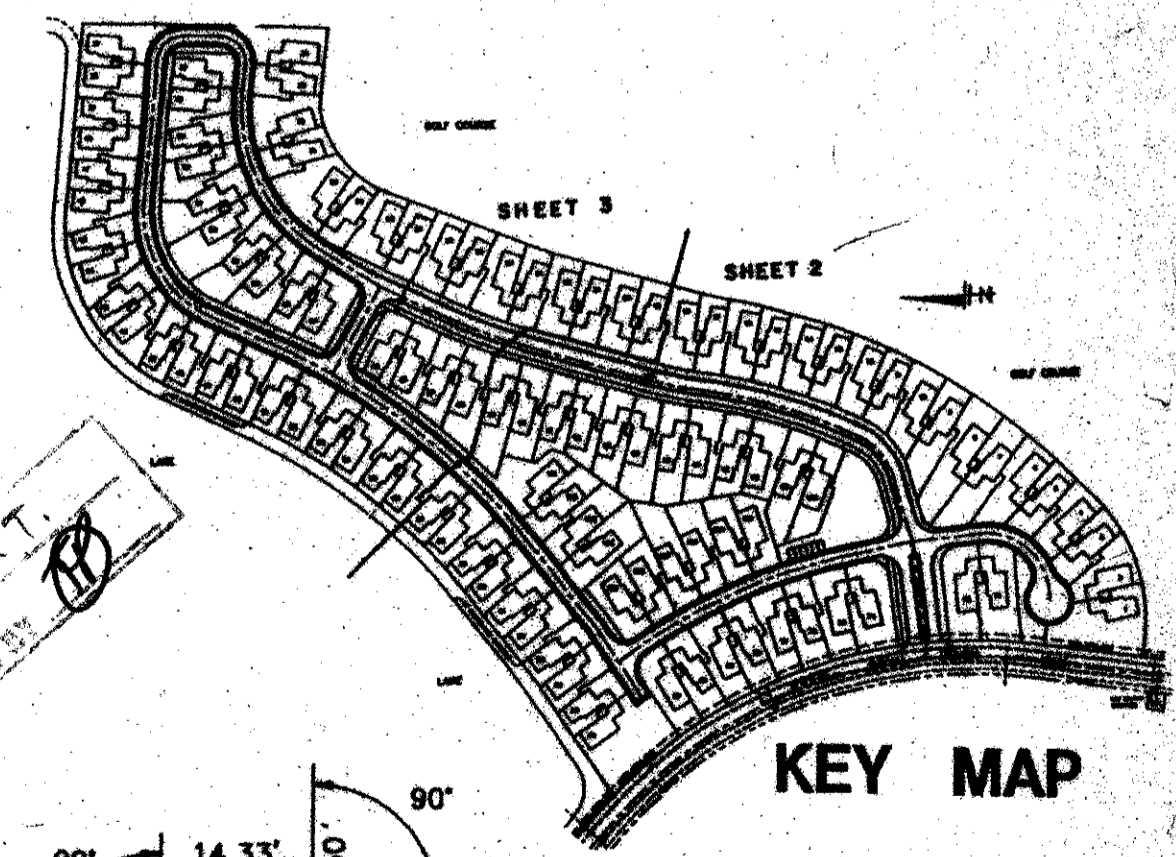
A PART OF WYCLIFFE GOLF & COUNTRY CLUB, P.U.D.
 BEING A REPLAT OF TRACT 'C' AS SHOWN ON
 WYCLIFFE PLAT ONE AND RECORDED IN PLAT
 BOOK 62, PAGES 8 THRU 13 PUBLIC RECORDS
 SITUATED IN SECTION 25, TOWNSHIP 44 SOUTH,
 RANGE 41 EAST, PALM BEACH COUNTY, FLORIDA.
 SHEET 3 OF 4
 MARCH, 1989

COUNTY OF PALM BEACH
 STATE OF FLORIDA
 This Plat was filed for record at M.
 this day of
 19 and duly recorded in Plat Book No.
 on page
 JOHN B. DUNKLE, Clerk, Circuit Court
 By



TYPICAL LOT LINE DETAIL
 ALL LINES AND PARTS OF LOT LINES ARE
 NON-RADIAL EXCEPT THOSE LABELED RADIAL.

TRACT 'P'
 WYCLIFFE PLAT ONE
 (P.B. 62, PGS 8-13)



64/158

SUBDIVISION * PARCEL 'C' AT WYCLIFFE
 BOOK 64
 PAGE 158
 FLOOD MAP * ICCB
 ZONING * RT5
 QUAD * 63
 SE 26-104
 PUD NAME WYCLIFFE GOLF & COUNTRY CLUB

Field Book No.	88-1066
Design	MITCHELL
Drawn	B. WILLIAMS
Checked	
ROBERT E. OWEN & ASSOCIATES, INC. ENGINEERS - PLANNERS - SURVEYORS WEST PALM BEACH FLORIDA	
PARCEL 'C' at WYCLIFFE	
Date	MARCH 1989
Sheet	3
of 4	3
File No.	88-1066